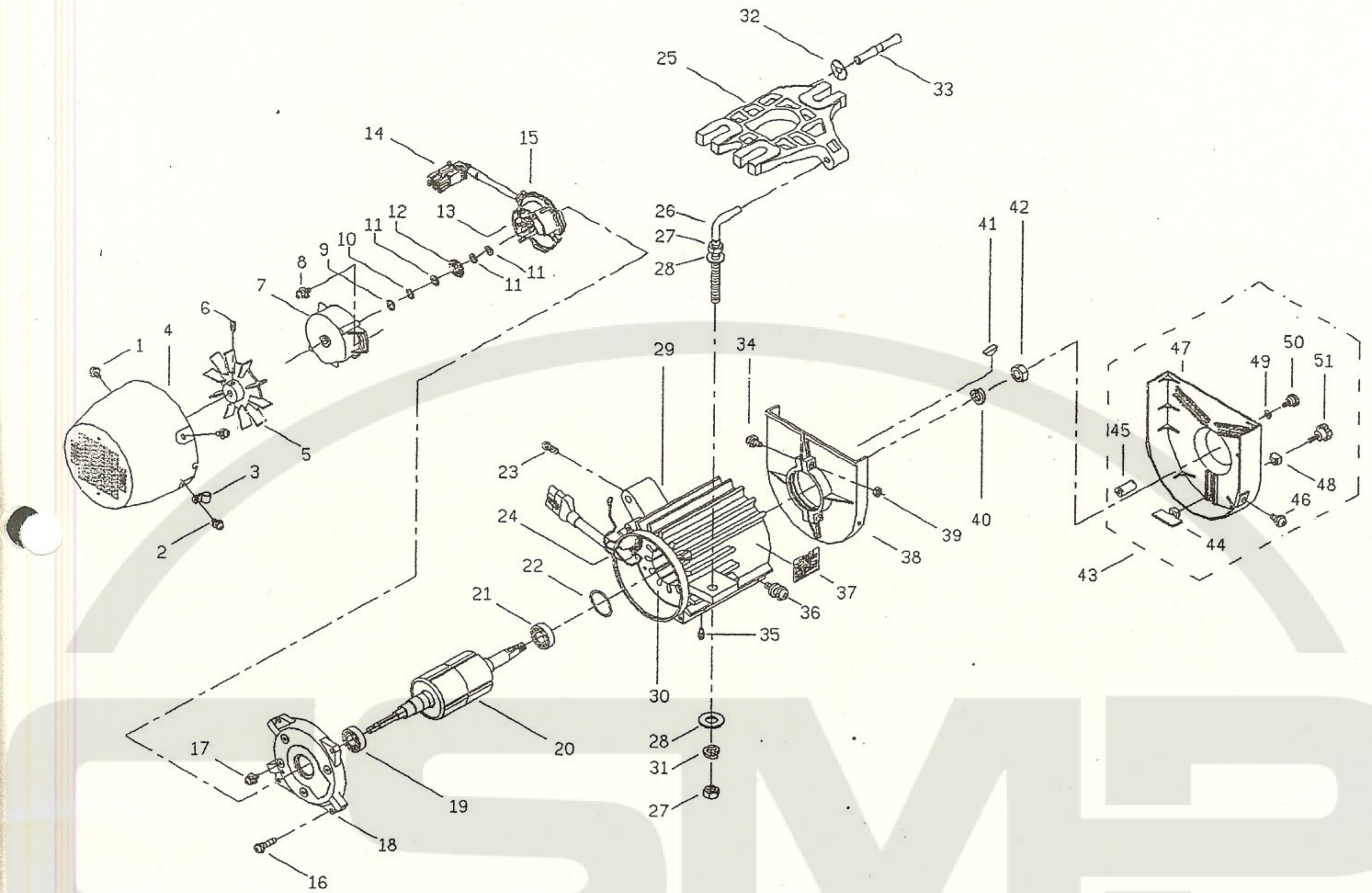


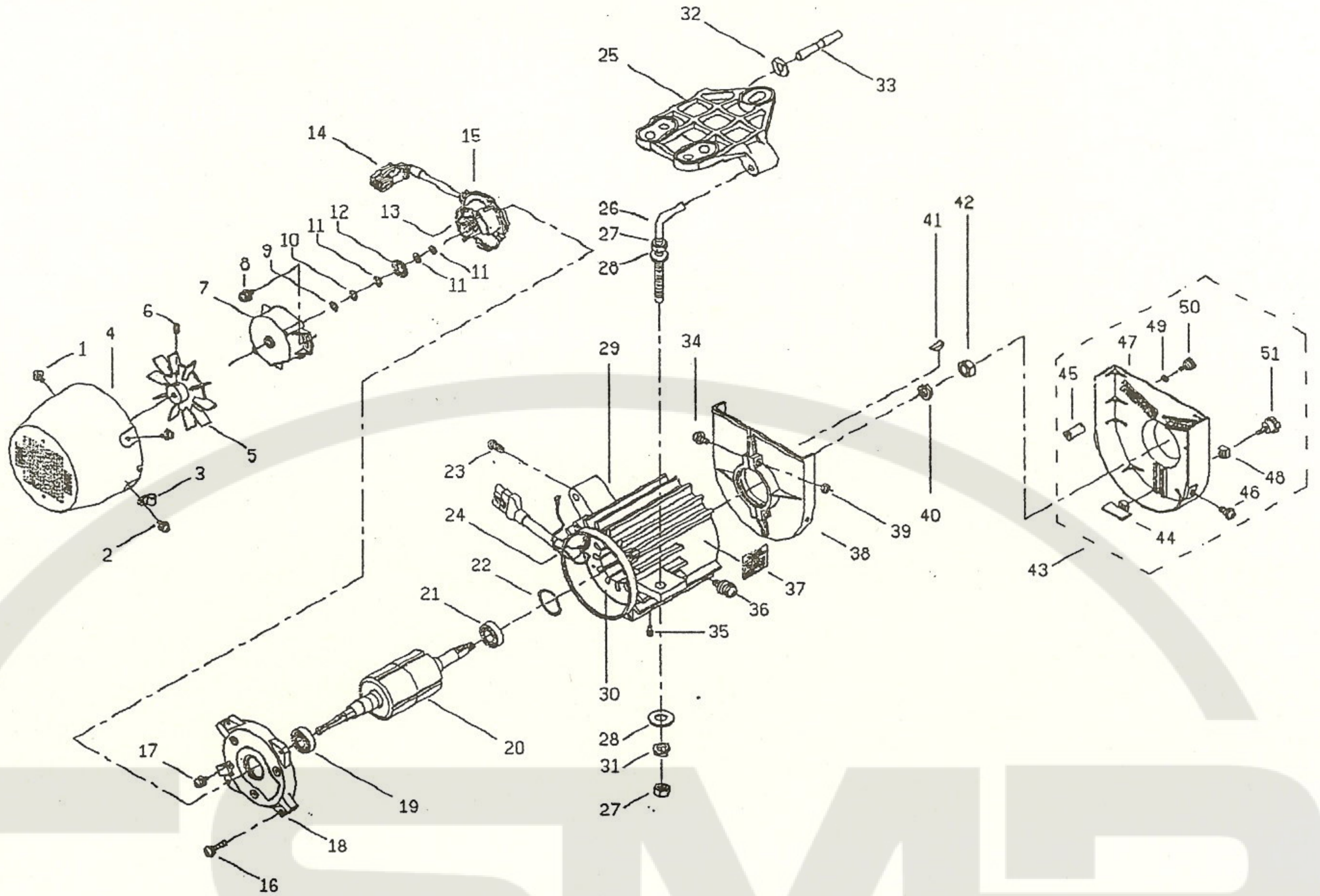
M 51 MOTOR PARTS LIST 1HP 馬達零件表 (一般輸出)



序號	品號	Description	品名	規格	數量
1	AGA0410F	Screw +Spring washer + Washer	螺絲+彈簧華司+平華司	M4xS4xφ10x10L	2
2	AGA0416C	Screw +Spring washer +Washer	螺絲+彈簧華司+平華司	M4xS4xφ10x16L	1
3	ACk0002A	Cord clamp	電線固定扣		1
4	ACB00110	End Cover	後蓋		1
5	AAB00072	Fan	風葉		1
6	AGA0510D	Headless screw 400-42256	無頭螺絲	M5x10L	1
7	ACN00020	Encoder Cover	編碼器上蓋		1
8	AGA0416A	Screw +Spring washer +Washer	螺絲+彈簧華司+平華司	M4xS4xφ10x16L	3
9	AGFCS02A	CS ring 400-26779	CS環	φ7.8xφ10x0.25T	1
10	ADA0057A	Bended Washer 400-26780	弓型彈簧華司	φ8.5xφ12.5x0.3T	1
11	ADA00540	Washer 400-18587	遮光片壓墊片	φ8.1xφ12.5x0.5T	3
12	AHB00010	Encoder disk 400-18586	編碼器遮光片		1
13	CME00012	Encoder P.C.B ASM	編碼器電路板組		1
14	CKC00110	Encoder cable	編碼器線		1
15	ACN00010	Encoder base ASM 400-18585	編碼器下蓋底座		1

No. 序號	Parts No. 品 號	Description	品名	Specification 規格	AMT 數量
16	AGA05250	Screw +Spring washer	螺絲+彈簧華司	M5xS5x25L	4
17	AGA0510M	Earth cord screw	地線螺絲	M5xS5xφ12x1.0Tx10L	1
18	AAA00101	Back cover	後殼		1
19	AGG62030	Bearing	培林軸承	6203-LLB	1
20	SNSA004A	Rotor ASM.	轉子組		1
21	AGG63020	Bearing	培林軸承	6302-LLB	1
22	AGH63020	Preload spring	培林彈簧	#6302	1
23	AGA0512D	Round screw	圓頭螺絲	M5x12L	1
24	HO00001A	Rubber bush	出線膠套管	φ11xφ14x15L	1
25	AAA00081	Slide base	底座		1
26	ABA00031	Adjusting screw	底座鉤螺絲	φ8.9x130L	1
27	AGE10080	Nut	螺帽	M10xP1.5x8T	2
28	AGB10020	Washer	平華司	φ10xφ21x1.5T	2
29	AAA30276	Motor housing	中管		1
30	BBK10020	Stator ASM.	定子組		1
31	AGC00100	Spring washer	彈簧華司	S10	1
32	ADA00560	Wave ring	三波彈簧墊片		1
33	ABA00181	Lateral pin	底座橫心	φ10X70L	1
34	AGA05150	Inside pulley cover screw	皮帶輪內蓋螺絲	M5xs5x15L	2
35	AGA06080	Stator fixing screw	定子固定螺絲	M6xP1x8L	1
36	AGA0515B	Screw +Spring washer	螺絲+彈簧華司	M5xS5xφ15x2.5Tx15L	4
37	AFAA002B	Rating Plate	銘牌	35x43	1
38	ACA00370	Inside pulley cover	皮帶輪內蓋		1
39	AGE05040	Nut	螺帽	M5xP0.8x4T	2
40	AGC0010A	Spring washer	彈簧華司	S10	1
41	AGM04130	Key	半圓鍵	4x5xR6.5	1
42	AGE1008B	Nut	螺帽	M10xP1x8T	1
43	SNSA003D	Outside pulley cover ASM.	皮帶輪外蓋組		1
44	ACA0010A	Dropping Plate	皮帶輪止落板		1
45	ABA00202	Supporting Rod	皮帶輪保護支柱	φ12x25L	1
46	AGA05080	Screw +Spring washer	螺絲+彈簧華司	M5xS5x8L	2
47	ACA00380	Outside pulley cover	皮帶輪外蓋		1
48	ACA00090	Dropping Pad	皮帶輪止落墊		1
49	AGB0408A	Washer	皮帶輪保護平華司	φ4.2xφ10x1T	1
50	ACB00120	Dropping bolt	皮帶輪止落螺栓(小)		1
51	ACB0012A	Dropping bolt (big)	皮帶輪止落螺栓(大)		1

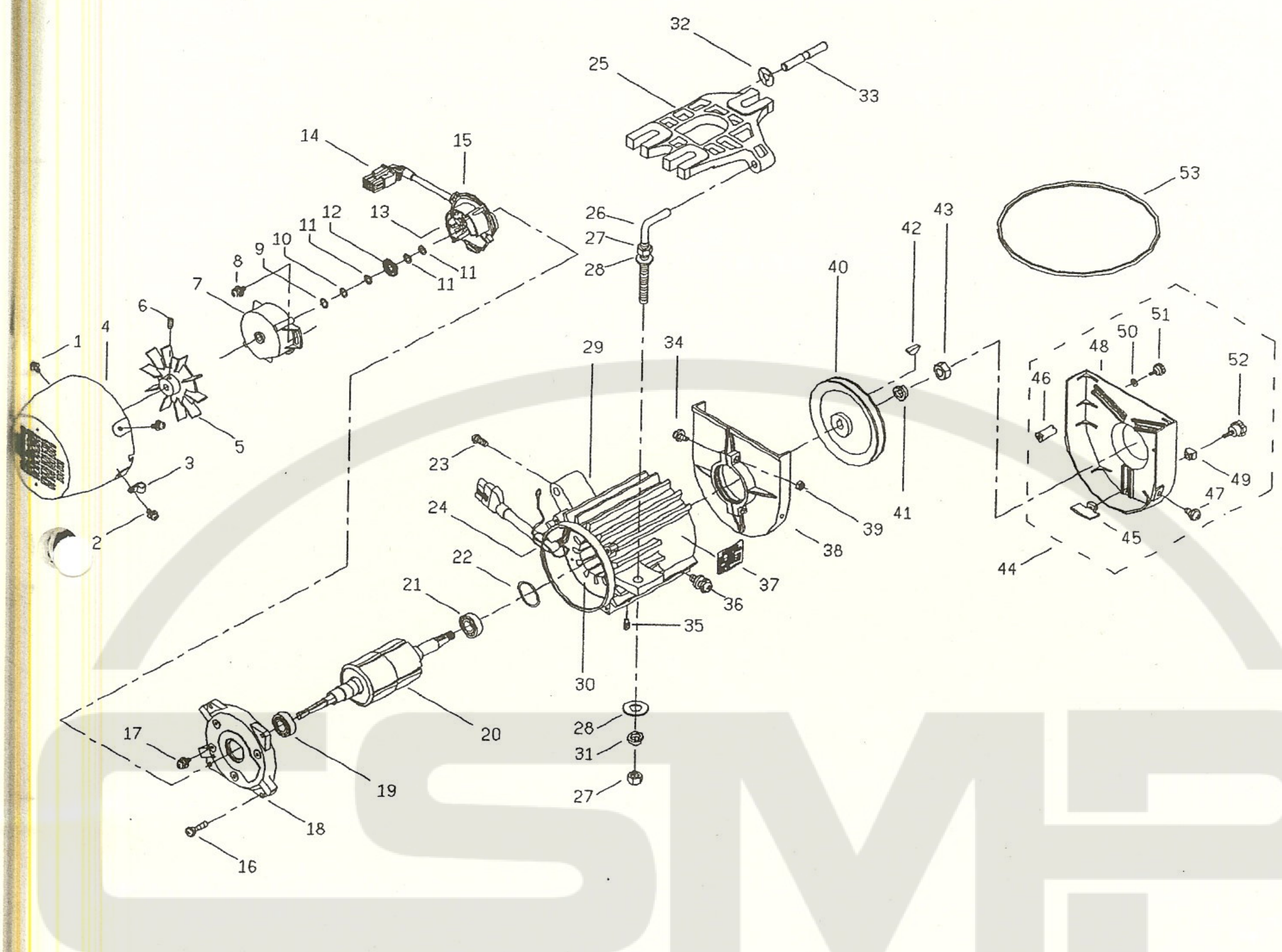
M 51 MOTOR PARTS LIST 1HP 馬達零件表 (CE 仕様)



No. 序號	Parts No. 品 號	Description	品名	Specification 規格	AMT 數量
1	AGA0410F	Screw +Spring washer + Washer	螺絲+彈簧華司+平華司	M4xS4xφ10x10L	2
2	AGA0416C	Screw +Spring washer +Washer	螺絲+彈簧華司+平華司	M4xS4xφ10x16L	1
3	ACk0002A	Cord clamp	電線固定扣		1
4	ACB00110	End Cover	後蓋		1
5	AAB00072	Fan	風葉		1
6	AGA0510D	Headless screw 400-42256	無頭螺絲	M5x10L	1
7	ACN00020	Encoder Cover	編碼器上蓋		1
8	AGA0416A	Screw +Spring washer +Washer	螺絲+彈簧華司+平華司	M4xS4xφ10x16L	3
9	AGFCS02A	CS ring 400-26779	CS 環	φ7.8xφ10x0.25T	1
10	ADA0057A	Bended Washer 400-26780	弓型彈簧華司	φ8.5xφ12.5x0.3T	1
11	ADA00540	Washer 400-18587	遮光片壓墊片	φ8.1xφ12.5x0.5T	3
12	AHB00010	Encoder disk 400-18586	編碼器遮光片		1
13	CME00012	Encoder P.C.B ASM	編碼器電路板組		1
14	CKC00110	Encoder cable	編碼器線		1
15	ACN00010	Encoder base ASM 400-18585	編碼器下蓋底座		1

No. 序號	Parts No. 品 號	Description	品名	Specification 規格	AMT 數量
16	AGA05250	Screw +Spring washer	螺絲+彈簧華司	M5xS5x25L	4
17	AGA0510M	Earth cord screw	地線螺絲	M5xS5xφ12x1.0Tx10L	1
18	AAA00101	Back cover	後殼		1
19	AGG62030	Bearing	培林軸承	6203-LLB	1
20	SNSA004A	Rotor ASM.	轉子組		1
21	AGG63020	Bearing	培林軸承	6302-LLB	1
22	AGH63020	Preload spring	培林彈簧	#6302	1
23	AGA0512D	Round screw	圓頭螺絲	M5x12L	1
24	HO00001A	Rubber bush	出線膠套管	φ11xφ14x15L	1
25	AAA30273	Slide base	底座(新歐規)		1
26	ABA00031	Adjusting screw	底座鉤螺絲	φ8.9x130L	1
27	AGE10080	Nut	螺帽	M10xP1.5x8T	2
28	AGB10020	Washer	平華司	φ10xφ21x1.5T	2
29	AAA30276	Motor housing	中管		1
30	BBK10020	Stator ASM.	定子組		1
31	AGC00100	Spring washer	彈簧華司	S10	1
32	ADA00560	Wave ring	三波彈簧墊片		1
33	ABA00181	Lateral pin	底座橫心	φ10X70L	1
34	AGA05150	Inside pulley cover screw	皮帶輪內蓋螺絲	M5xs5x15l	2
35	AGA06080	Stator fixing screw	定子固定螺絲	M6xP1x8L	1
36	AGA0515B	Screw +Spring washer	螺絲+彈簧華司	M5xS5xφ15x2.5Tx15L	4
37	AFAA002B	Rating Plate	銘牌	35x43	1
38	ACA00370	Inside pulley cover	皮帶輪內蓋		1
39	AGE05040	Nut	螺帽	M5xP0.8x4T	2
40	AGC0010A	Spring washer	彈簧華司	S10	1
41	AGM04130	Key	半圓鍵	4x5xR6.5	1
42	AGE1008B	Nut	螺帽	M10xP1x8T	1
43	SNSA003D	Outside pulley cover ASM.	皮帶輪外蓋組		1
44	ACA0010A	Dropping Plate	皮帶輪止落板		1
45	ABA00202	Supporting Rod	皮帶輪保護支柱	φ12x25L	1
46	AGA05080	Screw +Spring washer	螺絲+彈簧華司	M5xS5x8L	2
47	ACA00380	Outside pulley cover	皮帶輪外蓋		1
48	ACA00090	Dropping Pad	皮帶輪止落墊		1
49	AGB0408A	Washer	皮帶輪保護平華司	φ4.2xφ10x1T	1
50	ACB00120	Dropping bolt	皮帶輪止落螺栓(小)		1
51	ACB0012A	Dropping bolt (big)	皮帶輪止落螺栓(大)		1

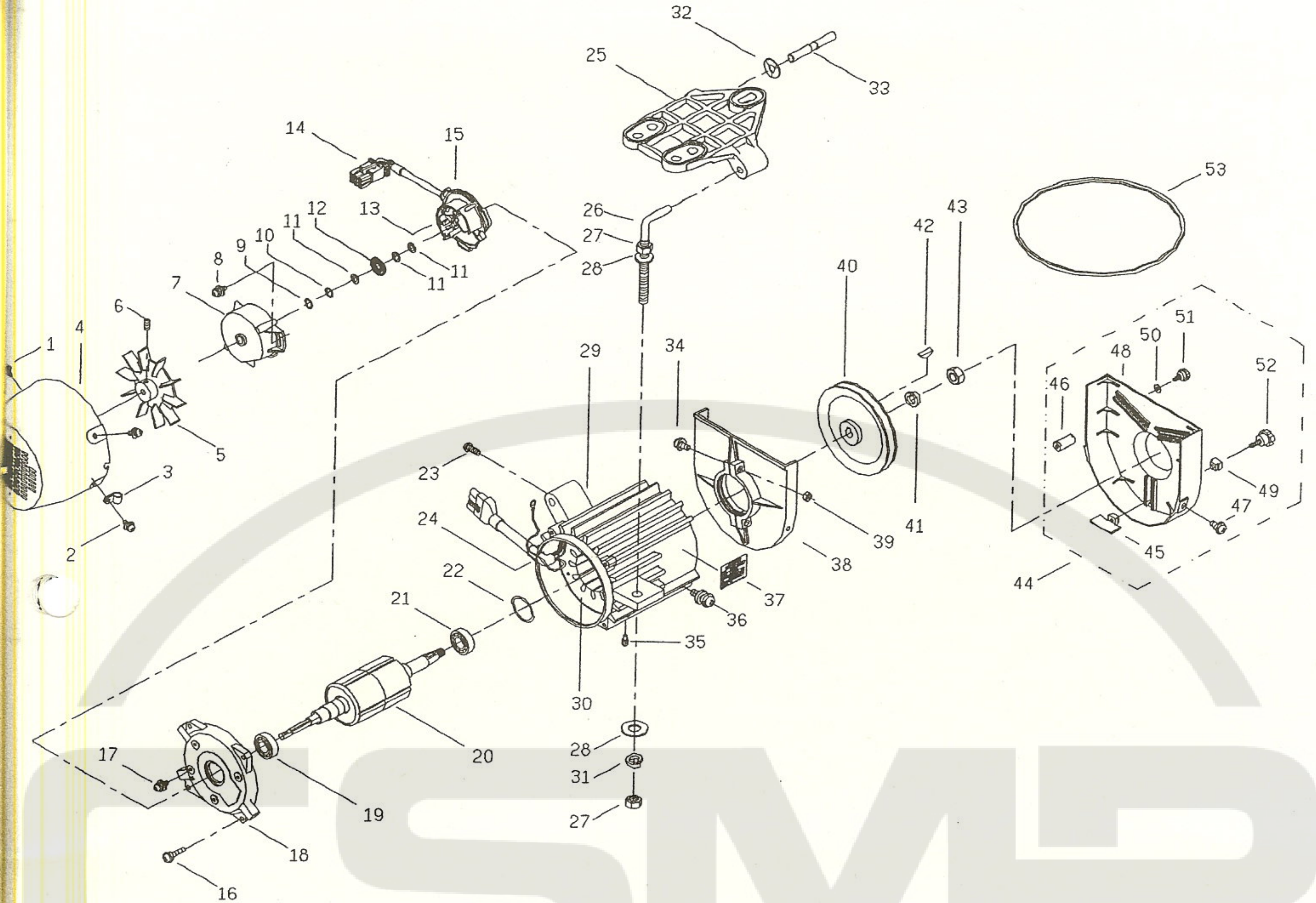
M 50 MOTOR PARTS LIST 馬達零件表 (一般輸出)



序號	品號	Description	品名	規格	數量
1	AGA0410F	Screw +Spring washer + Washer	螺絲+彈簧華司+平華司	M4xS4xφ10x10L	2
2	AGA0416C	Screw +Spring washer +Washer	螺絲+彈簧華司+平華司	M4xS4xφ10x16L	1
3	ACk0002A	Cord clamp	電線固定扣		1
4	ACB00110	End Cover	後蓋		1
5	AAB00072	Fan	風葉		1
6	AGA0510D	Headless screw 400-42256	無頭螺絲	M5x10L	1
7	ACN00020	Encoder Cover	編碼器上蓋		1
8	AGA0416A	Screw +Spring washer +Washer	螺絲+彈簧華司+平華司	M4xS4xφ10x16L	3
9	AGFCS02A	CS ring 400-26779	CS環	φ7.8xφ10x0.25T	1
10	ADA0057A	Bended Washer 400-26780	弓型彈簧華司	φ8.5xφ12.5x0.3T	1
11	ADA00540	Washer 400-18587	遮光片壓墊片	φ8.1xφ12.5x0.5T	3
12	AHB00010	Encoder disk 400-18586	編碼器遮光片		1
13	CME00012	Encoder P.C.B ASM	編碼器電路板組		1
14	CKC00110	Encoder cable	編碼器線		1
15	ACN00010	Encoder base ASM 400-18585	編碼器下蓋底座		1

No. 序號	Parts No. 品 號	Description	品名	Specification 規格	AMT 數量
16	AGA05250	Screw +Spring washer	螺絲+彈簧華司	M5xS5x25L	4
17	AGA0510M	Earth cord screw	地線螺絲	M5xS5xφ12x1.0Tx10L	1
18	AAA00101	Back cover	後殼		1
19	AGG62030	Bearing	培林軸承	6203-LLB	1
20	SNSA002B	Rotor ASM.	轉子組		1
21	AGG63020	Bearing	培林軸承	6302-LLB	1
22	AGH63020	Preload spring	培林彈簧	#6302	1
23	AGA0512D	Round screw	圓頭螺絲	M5x12L	1
24	HO00001A	Rubber bush	出線膠套管	φ11xφ14x15L	1
25	AAA00081	Slide base	底座		1
26	ABA00031	Adjusting screw	底座鉤螺絲	φ8.9x130L	1
27	AGE10080	Nut	螺帽	M10xP1.5x8T	2
28	AGB10020	Washer	平華司	φ10xφ21x1.5T	2
29	AAA30266	Motor housing	中管		1
	BBK10010	Stator ASM.	定子組		1
31	AGC00100	Spring washer	彈簧華司	S10	1
32	ADA00560	Wave ring	三波彈簧墊片		1
33	ABA00181	Lateral pin	底座橫心	φ10X70L	1
34	AGA05150	Inside pulley cover screw	皮帶輪內蓋螺絲	M5xs5x15l	2
35	AGA06080	Stator fixing screw	定子固定螺絲	M6xP1x8L	1
36	AGA0515B	Screw +Spring washer	螺絲+彈簧華司	M5xS5xφ15x2.5Tx15L	4
37	AFAA002A	Rating Plate	銘牌	35x43	1
38	ACA00370	Inside pulley cover	皮帶輪內蓋		1
39	AGE05040	Nut	螺帽	M5xP0.8x4T	2
40	AABP1100	Motor pulleyφ100	皮帶輪φ110		1
41	AGC0010A	Spring washer	彈簧華司	S10	1
	AGM04130	Key	半圓鍵	4x5xR6.5	1
43	AGE1008B	Nut	螺帽	M10xP1x8T	1
44	SNSA003D	Outside pulley cover ASM.	皮帶輪外蓋組		1
45	ACA0010A	Dropping Plate	皮帶輪止落板		1
46	ABA00202	Supporting Rod	皮帶輪保護支柱	φ12x25L	2
47	AGA05080	Screw +Spring washer	螺絲+彈簧華司	M5xS5x8L	2
48	ACA00380	Outside pulley cover	皮帶輪外蓋		1
49	ACA00090	Dropping Pad	皮帶輪止落墊		1
50	AGB0408A	Washer	皮帶輪保護平華司	φ4.2xφ10x1T	2
51	ACB00120	Dropping bolt	皮帶輪止落螺栓(小)		2
52	ACB0012A	Dropping bolt (big)	皮帶輪止落螺栓(大)		1
53	AGL0041M	Belt (M41)	皮帶 (M41)		1

M 50 MOTOR PARTS LIST 馬達零件表 (CE 仕様)



No. 序號	Parts No. 品 號	Description	品名	Specification 規格	AMT 數量
1	AGA0410F	Screw +Spring washer + Washer	螺絲+彈簧華司+平華司	M4xS4xφ10x10L	2
2	AGA0416C	Screw +Spring washer +Washer	螺絲+彈簧華司+平華司	M4xS4xφ10x16L	1
3	ACk0002A	Cord clamp	電線固定扣		1
4	ACB00110	End Cover	後蓋		1
5	AAB00072	Fan	風葉		1
6	AGA0510D	Headless screw 400-42256	無頭螺絲	M5x10L	1
7	ACN00020	Encoder Cover	編碼器上蓋		1
8	AGA0416A	Screw +Spring washer +Washer	螺絲+彈簧華司+平華司	M4xS4xφ10x16L	3
9	AGFCS02A	CS ring 400-26779	CS 環	φ7.8xφ10x0.25T	1
10	ADA0057A	Bended Washer 400-26780	弓型彈簧華司	φ8.5xφ12.5x0.3T	1
11	ADA00540	Washer 400-18587	遮光片壓墊片	φ8.1xφ12.5x0.5T	3
12	AHB00010	Encoder disk 400-18586	編碼器遮光片		1
13	CME00012	Encoder P.C.B ASM	編碼器電路板組		1
14	CKC00110	Encoder cable	編碼器線		1
15	ACN00010	Encoder base ASM 400-18585	編碼器下蓋底座		1

No. 序號	Parts No. 品 號	Description	品名	Specification 規格	AMT 數量
16	AGA05250	Screw +Spring washer	螺絲+彈簧華司	M5xS5x25L	4
17	AGA0510M	Earth cord screw	地線螺絲	M5xS5xφ12x1.0Tx10L	1
18	AAA00101	Back cover	後殼		1
19	AGG62030	Bearing	培林軸承	6203-LLB	1
20	SNSA002B	Rotor ASM.	轉子組		1
21	AGG63020	Bearing	培林軸承	6302-LLB	1
22	AGH63020	Preload spring	培林彈簧	#6302	1
23	AGA0512D	Round screw	圓頭螺絲	M5x12L	1
24	HO00001A	Rubber bush	出線膠套管	φ11xφ14x15L	1
25	AAA30273	Slide base	底座(CE)		1
26	ABA00031	Adjusting screw	底座鉤螺絲	φ8.9x130L	1
27	AGE10080	Nut	螺帽	M10xP1.5x8T	2
28	AGB10020	Washer	平華司	φ10xφ21x1.5T	2
29	AAA30266	Motor housing	中管		1
30	BBK10010	Stator ASM.	定子組		1
31	AGC00100	Spring washer	彈簧華司	S10	1
32	ADA00560	Wave ring	三波彈簧墊片		1
33	ABA00181	Lateral pin	底座橫心	φ10X70L	1
34	AGA05150	Inside pulley cover screw	皮帶輪內蓋螺絲	M5xs5x15l	2
35	AGA06080	Stator fixing screw	定子固定螺絲	M6xP1x8L	1
36	AGA0515B	Screw +Spring washer	螺絲+彈簧華司	M5xS5xφ15x2.5Tx15L	4
37	AFAA002A	Rating Plate	銘牌	35x43	1
38	ACA00370	Inside pulley cover	皮帶輪內蓋		1
39	AGE05040	Nut	螺帽	M5xP0.8x4T	2
40	AABP1100	Motor pulleyφ100	皮帶輪φ110		1
41	AGC0010A	Spring washer	彈簧華司	S10	1
	AGM04130	Key	半圓鍵	4x5xR6.5	1
43	AGE1008B	Nut	螺帽	M10xP1x8T	1
44	SNSA003D	Outside pulley cover ASM.	皮帶輪外蓋組		1
45	ACA0010A	Dropping Plate	皮帶輪止落板		1
46	ABA00202	Supporting Rod	皮帶輪保護支柱	φ12x25L	2
47	AGA05080	Screw +Spring washer	螺絲+彈簧華司	M5xS5x8L	2
48	ACA00380	Outside pulley cover	皮帶輪外蓋		1
49	ACA00090	Dropping Pad	皮帶輪止落墊		1
50	AGB0408A	Washer	皮帶輪保護平華司	φ4.2xφ10x1T	2
51	ACB00120	Dropping bolt	皮帶輪止落螺栓(小)		2
52	ACB0012A	Dropping bolt (big)	皮帶輪止落螺栓(大)		1
53	AGL0041M	Belt (M41)	皮帶 (M41)		1